

AD0009162S8

Service Manual

Portable MD Recorder



SJ-MR100
(EB) Great Britain
(EG) Europe
(GH) Hong Kong

Addition of spacer
(To protect the LCD, the spacer has been added.)

This document is supplementary to the following Service Manual.

Model No.	Area Code	Order No.	Brand
-MR100	(EG, EB, GH)	AD9908194C8	Panasonic

⚠ WARNING

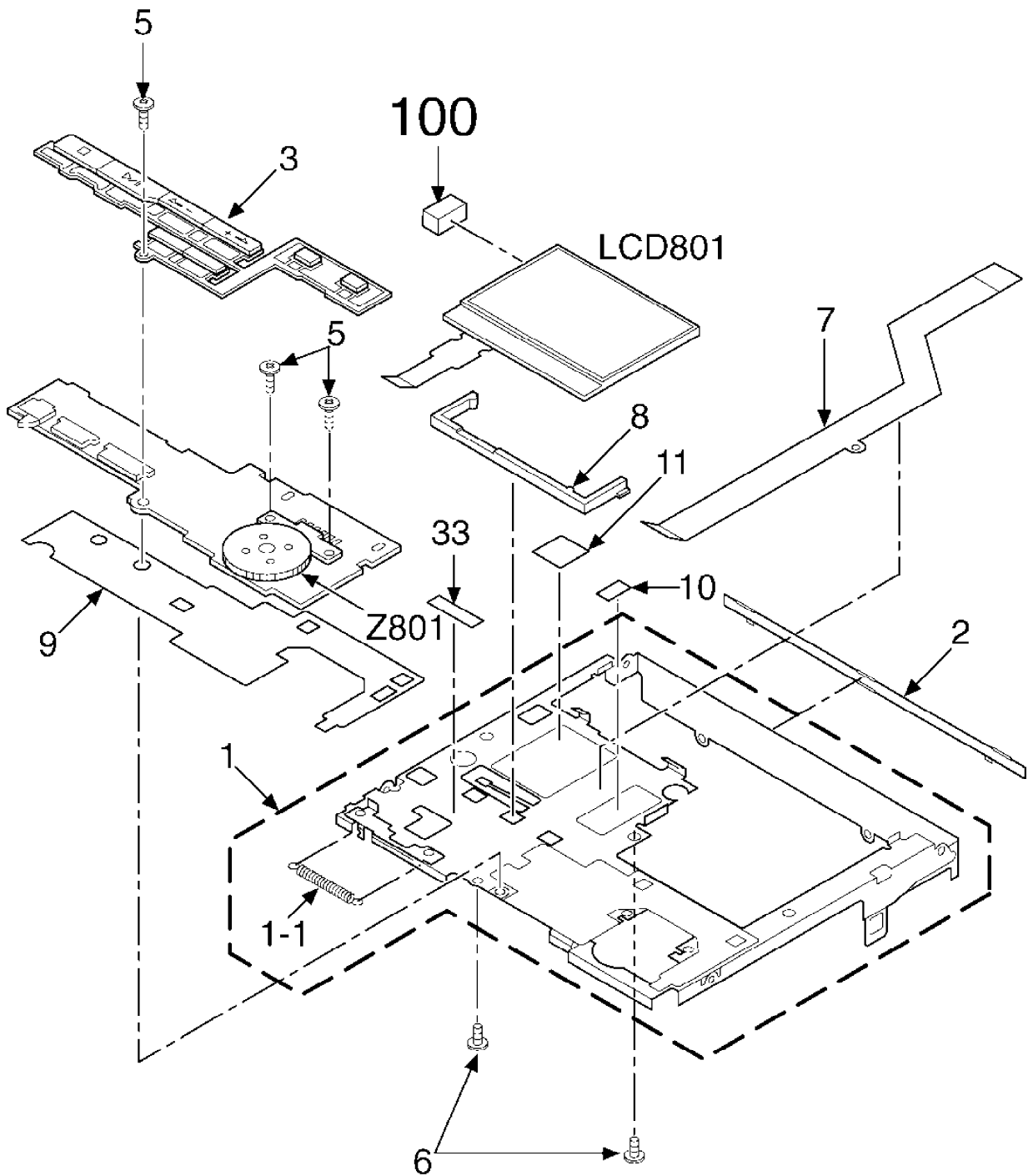
This service information is designed for experienced repair technicians only and is not designed for use by the general public. It does not contain warnings or cautions to advise non-technical individuals of potential dangers in attempting to service a product. Products powered by electricity should be serviced or repaired only by experienced professional technicians. Any attempt to service or repair the product or products dealt with in this service information by anyone else could result in serious injury or death.



1. Replacement Part List

Ref. No.	Change of Parts No.		Part Name & Description	Remarks
	Original	Supplement		
CABINET PART				
0	—	RMQ0943	SPACER	

2. Cabinet Part Location



Printed in Japan
 S001100000 HM/TF
 0008101 T.I. No.99910T016

¹ © 2000 Matsushita Electric Industrial Co., Ltd. All rights reserved.

Unauthorized copying and distribution is a violation of law.